

BOOM PUMPS



AZX SERIES

(Truck Mounted Version)

**The
Next-Gen
360°
Concreting
Solutions**

**MADE IN
INDIA**
MADE FOR THE WORLD



BOOM PUMPS AZX SERIES

(Truck Mounted Version)

AJAX launched the first 25m & 30m concrete boom pumps on 4x2 chassis, making them the most compact and versatile boom pumps in the industry. With best-in-class fuel efficiency, lower maintenance costs and higher productivity, AJAX Boom pumps offer the best return of investment.

AZX SERIES	
Model	Reach Height
A25ZX	24.15 m
A30ZX	29.15 m

BEST-IN-CLASS BENEFITS



PERFORMANCE

Best-in-class Pumping Performance owing to robust & rugged control block that could withstand more hydraulic pressure



ENERGY EFFICIENT

50% O&M Cost Saving since Oil change interval is less [sufficiency of oil change for every 2000 hrs)



300% LONGER LIFE

300% longer life compared to non-carbide wear parts and very less operating temperature in Open Circuit



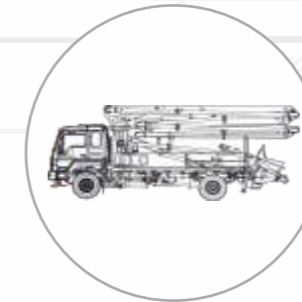
BEST IN CLASS IN THE INDUSTRY

First in India to launch 25 & 30 m boom pump on a 4x2 chassis, Rugged design to work at any tough site



SAFETY FIRST

Limit switch ensures the safety during S valve operations, Emergency stop - cuts down the complete operations



4x2 CHASSIS

Rugged design to work at any compact site



RADIO REMOTE

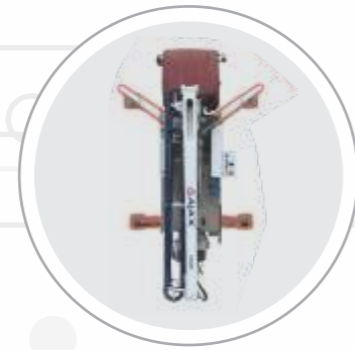
Radio Remote access with 100 m range



EFFICIENT GREASING

Efficient greasing of all components, Electrical timer for optimized greasing, Performance indicator for easy trouble shooting

SALIENT FEATURES



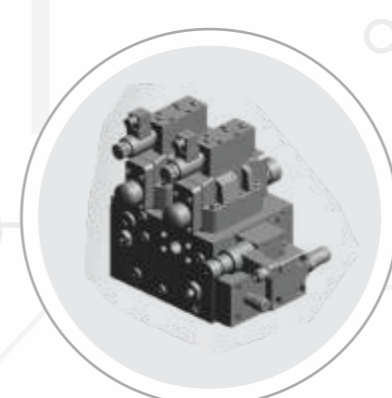
OUTRIGGERS

"X" brace outrigger system with telescopic arrangement for great stability, Two part outriggers for easy maintenance, Fully hydraulic outriggers with integral cylinders, Auto leveling system & bubble level indicators



WEAR PARTS

Manufactured with special material and tungsten carbide inserts for high wear resistance for any type of concrete



VALVE BLOCK & HYDRAULIC CONTROL SYSTEM

Single block design to support S valve and main cylinder operation



BOOM OPERATION & CONTROL

Versatile 4-section Z-fold boom, Automatic lubrication, Smooth & precise boom positioning at greater distances



AUTO LUBRICATION SYSTEM

The robust auto lubrication system facilitate low and hassle free maintenance, Designed with performance indicator



HOPPER / AGITATOR

Improved Hopper design to eliminate deposition of concrete & provide smooth flow, Wide angle paddles for better agitation & homogenous concrete, Lower hopper height allows easy discharge from ready mix truck



SOLID RAM

Designed with special profile for slurry leak free pumping



BOOM DESIGN

Boom folds can reach least accessible areas in construction site with ease, Light weight and optimized design



365° ROTATION

365° rotation of boom ensures delivery of concrete at farthest point, Safety interlocks for hassle free working environment



TWIN LAYER PIPE LINE

Standard 125mm Twin layer pipe which is approximately 3-4 times longer life compare to conventional pipeline, Standardized 45° and 90° elbows & straight pipe sections



RADIO REMOTE

100 m range for all boom operations



HOPPER & S-VALVE

Simple hydraulic switch over for trouble free operation, Large capacity of hopper to hold more concrete during pumping



S VALVE TECHNOLOGY

Manufactured with special cast steel material, hard faced & optimized design, Bottom scoop design helps free movement & bottom concrete scraping



MAIN PUMPING UNIT

Efficient & optimized pumping kit to support various types of concrete mix and user friendly system, High pressure ensures less choking



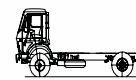
SLUMP METER*

To test concrete slump during sampling

*Optional Features

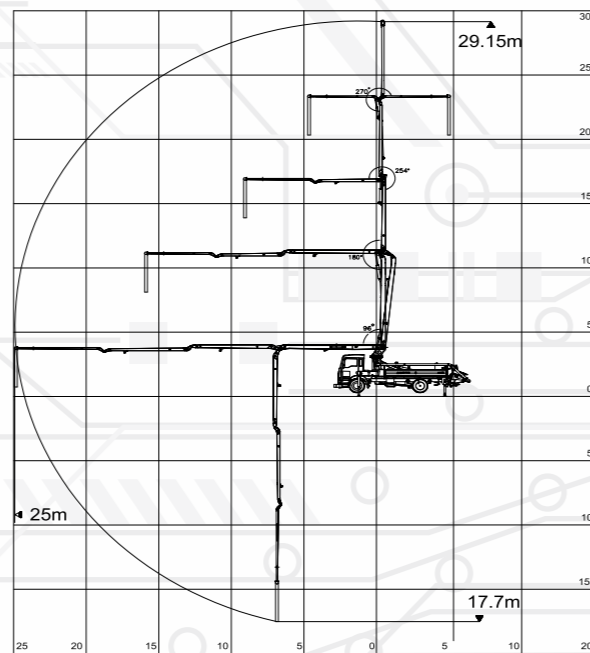
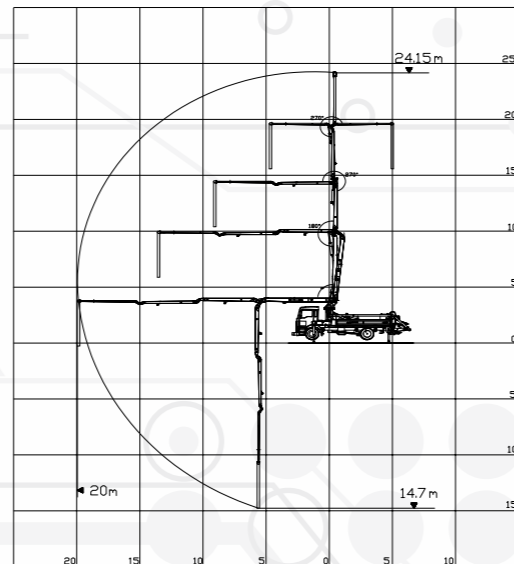
TECHNICAL SPEC

Description	Unit
Max Concrete o/p (Rod)	70 m ³ / hr
Max Concrete o/p (Piston)	48 m ³ / hr
Max Concrete pressure (Rod)	71 bar
Max Concrete pressure (Piston)	106 bar
Pump Cycles (Rod)	26 per min
Pump Cycles (Piston)	18 per in
Max Hyd Pressure	350 bar
Hopper Capacity	600 L

Description	A25ZX	A30ZX
Reaching height (Vertical)	24.15 m	29.15 m
Horizontal reach (from Center of slewing axis)	20 m	25 m
Reach depth	14.7	17.7
Slewing angle	365°	365°
1st folding angle	96°	96°
2nd folding angle	180°	180°
3rd folding angle	270°	270°
4th folding angle	254°	254°
No. of articulations	4	4
Truck Specifications	2 Axle Truck	
Axles		

Optional Items Work Light on 4th arm, Hopper Vibrator, Safe Concreting Zone (SCZ)

DIMENSIONS



APPLICATIONS

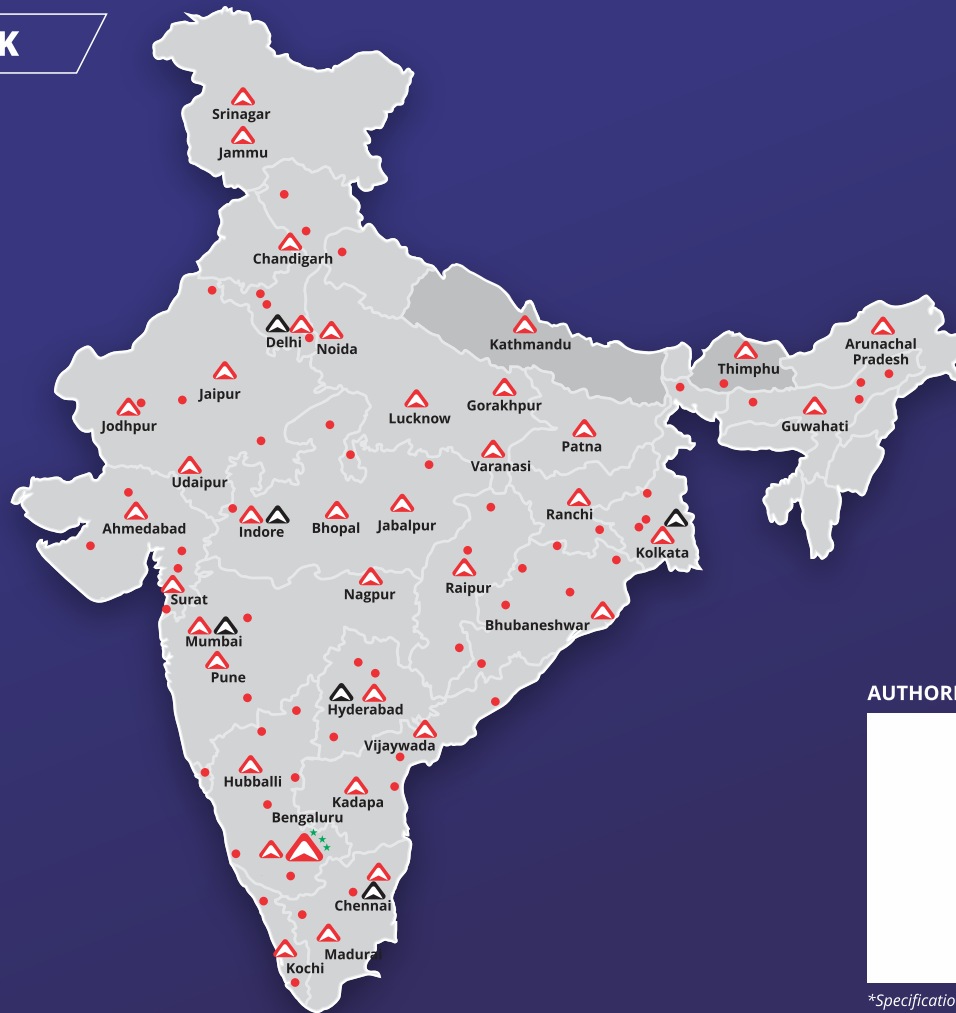
The central image shows an AJAX concrete pump truck. It is surrounded by seven circular images illustrating its applications:

- METRO RAILS:** A circular image showing the truck at a metro rail construction site.
- BRIDGES AND FLYOVERS:** A circular image showing the truck pouring concrete into a bridge structure.
- IRRIGATION:** A circular image showing the truck at an irrigation project.
- BUILDINGS:** A circular image showing the truck pouring concrete into a building's vertical structure.
- COMMERCIAL RMC:** A circular image showing the truck at a commercial ready-mix concrete site.
- INDUSTRIAL FOUNDATION:** A circular image showing the truck at an industrial foundation site.
- CASTING YARD:** A circular image showing the truck at a casting yard.

UNMATCHED SERVICE NETWORK

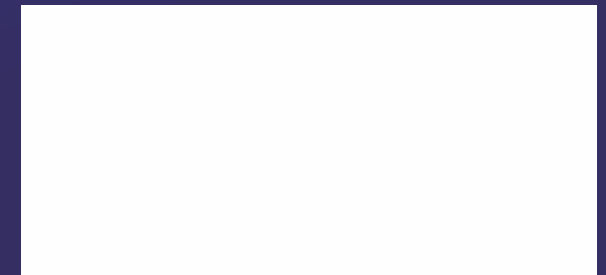
35+
Dealer
Locations

100+
Branch Offices



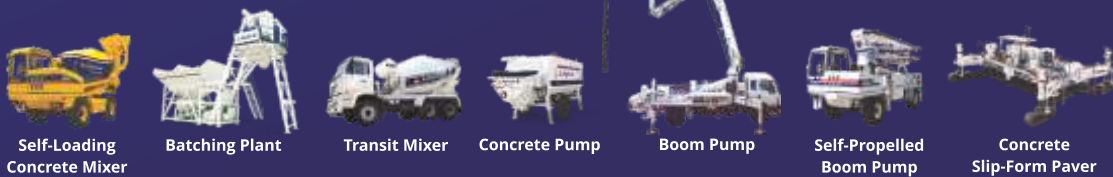
- AJAX Headquarters**
- Regional & Area Offices**
- Dealer Offices**
- Dealer Touch Points**
- Factory**

AUTHORISED DEALER



**Specifications are subject to change without prior notice, Product shown herein may include optional scope of supply. T&C Apply.*

The Next-Gen 360° Concreting Solutions



Self-Loading Concrete Mixer

Batching Plant

Transit Mixer

Concrete Pump

Boom Pump

Self-Propelled Boom Pump

Concrete Slip-Form Paver



Please Scan to know more about Ajax



Follow us on Toll Free No: **1-800-419-0628** www.ajax-engg.com

Reg. Off.: **AJAX Engineering Pvt. Ltd.**, #253/1, 11th Main, 3rd Phase, Peenya Industrial Area, Bengaluru - 560 058. CIN No: U28920KA1992PTC013306 | T: +91 80 6720 0082, 6720 0083 | Email: customercare@ajax-engg.com